

ANTI-BURGLAR SECURITY KITS



Additional security kits to be combined with panic devices Juvarra and Brunelleschi

Tested in class 2 in compliance with standards EN 1627 - EN 1630.
Fast and easy installation.
For flush profiles and single leaves.

FROM TODAY THE BURGLARY IS FORBIDDEN



The central reinforcement and the upper/bottom covers have been designed to guarantee more resistance to burglary attempts.

NEW SAVIO ANTI-BURGLAR KITS

HIGHER ANTI-BURGLAR SECURITY FOR A MORE COMPLETE RANGE.

With the new anti-burglar kits, Savio adds a supplementary security to Juarra and Brunelleschi panic devices, a range already featured by an important resistance against burglary attempts, thanks to the special shape of the latch.

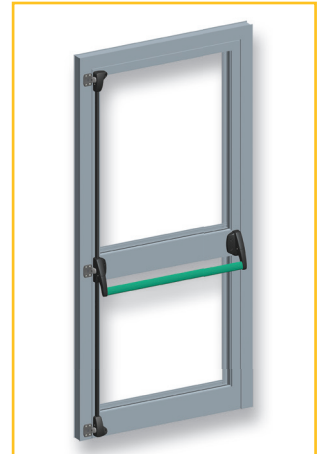
CERTIFIED PERFORMANCES.

The new anti-burglar kits for Juarra and Brunelleschi have been tested in class 2 according to EN 1627 - 1628 - 1630 standards and submitted to burglary resistance test, burglary manual action and resistance under static load, passing brilliantly the proofs for single leaf.

SIMPLICITY, RAPIDITY, SUITABILITY.

The absence of supplementary machining makes the installation of anti-burglar kits particularly simple and fast. In addition, due to their features, the new kits can be mounted easily to the main door profiles available on the market.

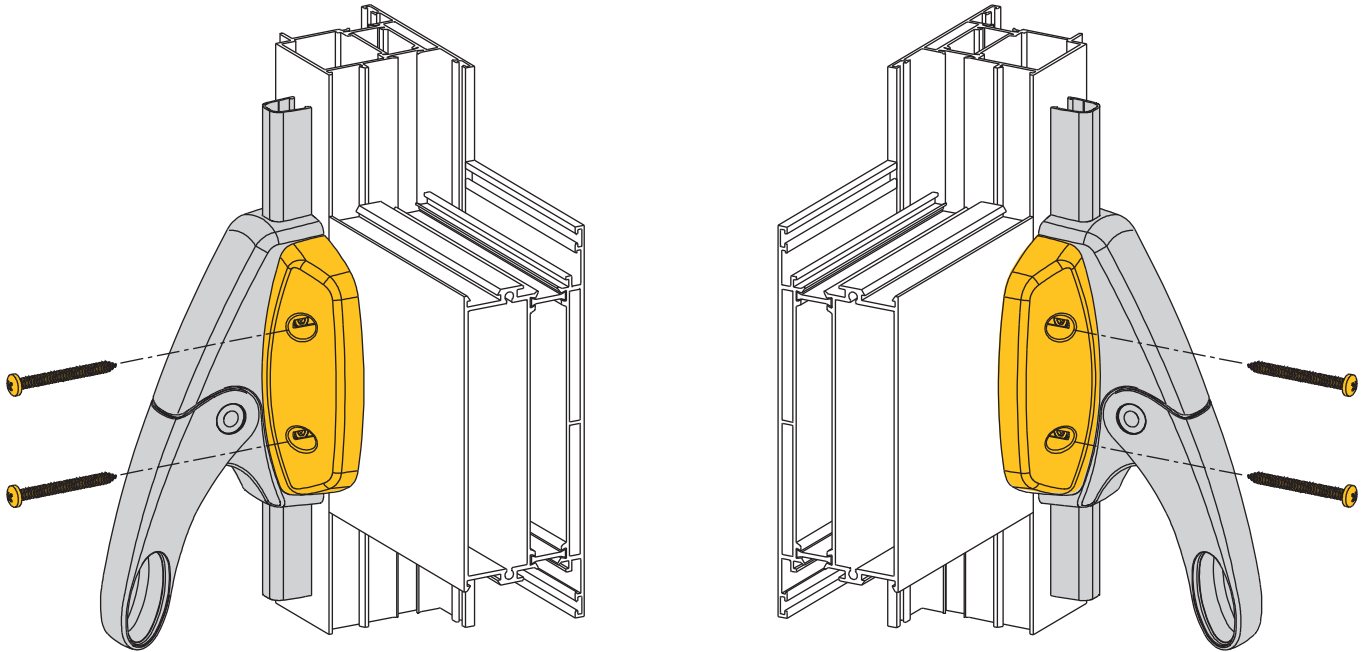
Suitable on already installed doors.



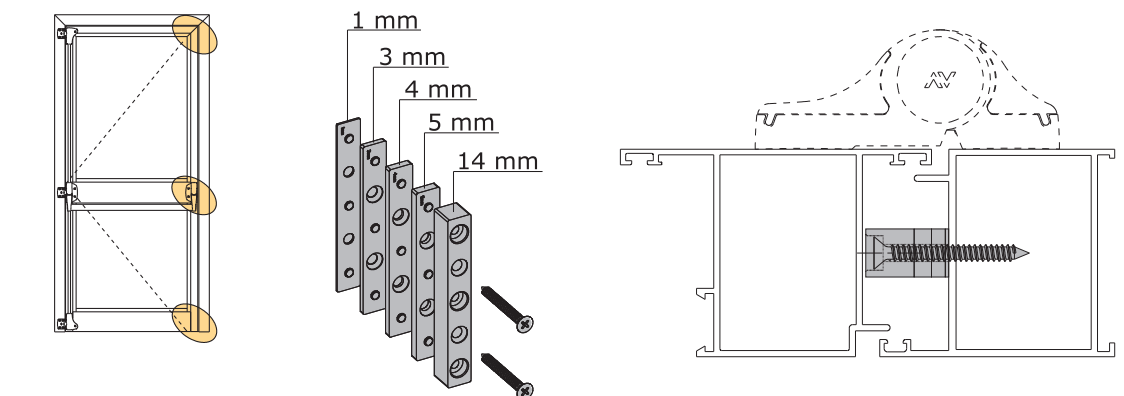
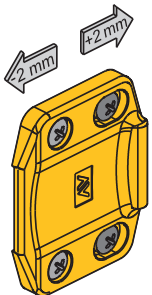
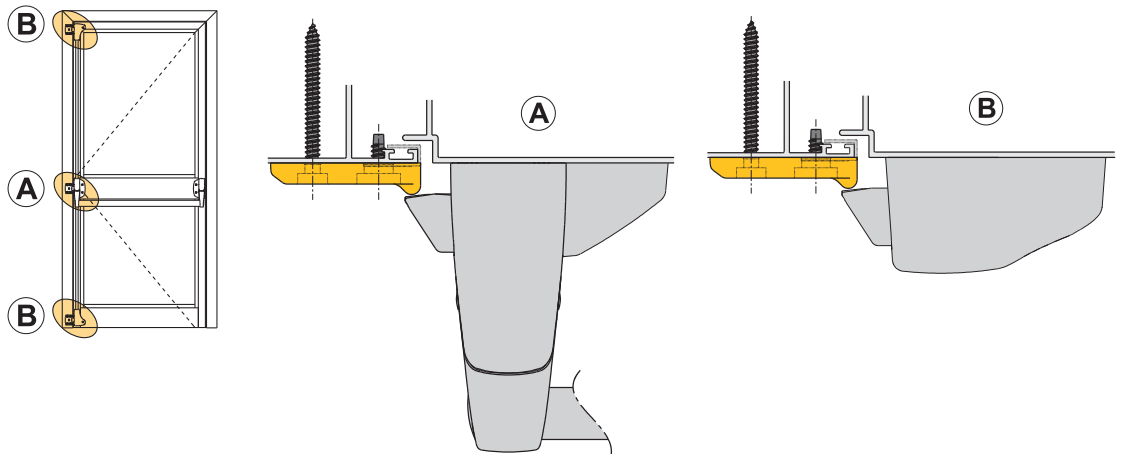
Anti-burglar kit.
Simple. Safe. Savio.

Reinforced covers

The main and secondary covers are fixed with additional screws to increase their resistance.

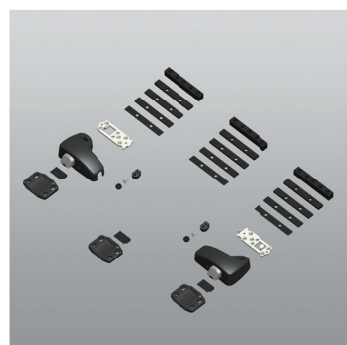


Adjustments



Anti-burglar kit

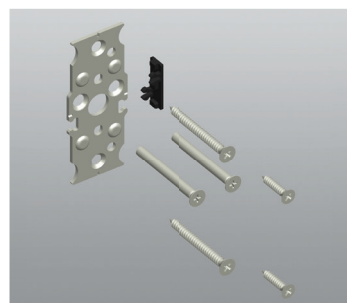
Item	Description	Pcs.	Finishes
6010.745	Non-handed anti-burglar kit for JUVARRA panic devices in painted zamak and galvanised steel, nickel plated latch bolt. Including: 2 fastening counterplates in galvanised steel, 2 adjustable through-guides in galvanised zamak, 3 keepers and 2 lateral cover reinforcements in painted zamak, 5 spacers (1, 3, 4, 5 and 14 mm) in nylon, 2 countersunk head screws Ø 4.2x13, 8 countersunk head screws Ø 4.2x45, 4 countersunk head screws M5x6, 12 cap screws Ø 4.8x50, 6 cap screws Ø 4.8x13, 2 countersunk head screws M4x5 and 4 socket head cap screws M4x10 in galvanised steel, 6 countersunk head screws Ø 4.8x45 in stainless steel (finishing 910: 2 countersunk head screws M4x6 in stainless steel instead of 2 countersunk head screws M4x5 in galvanised steel).	1	905, 910, SLV



Item	Description	Pcs.	Finishes
6110.745	Non-handed anti-burglar kit for BRUNELLESCHI panic devices in painted zamak and galvanised steel, nickel plated latch bolt. Including: 2 fastening counterplates in galvanised steel, 2 adjustable through-guides in galvanised zamak, 3 keepers in painted zamak, 5 spacers (1, 3, 4, 5 and 14 mm) in nylon, 2 countersunk head screws Ø 4.2x13, 8 countersunk head screws Ø 4.2x45, 4 countersunk head screws M5x6, 8 cap screws Ø 4.8x50, 6 cap screws Ø 4.8x13 and 2 countersunk head screws M4x5 in galvanised steel, 6 countersunk head screws Ø 4.8x45 in stainless steel (finishing 910: 2 countersunk head screws M4x6 in stainless steel instead of 2 countersunk head screws M4x5 in galvanised steel).	1	905, 910, SLV



Item	Description	Pcs.	Finishes
6010.402	Single key external device cam in brass, aluminum bushing, 2 nylon washers.	5	



Item	Description	Pcs.	Finishes
6010.422	Kit for single key external device connection consisting of: white galvanized steel counterplate, 1 central cover cap in black nylon, 2 countersunk head screws M5x50 in black galvanised steel, 2 self-drilling countersunk head screws Ø 4.8x50 and 2 self-drilling countersunk head screws Ø 4.2x22 in white galvanised steel. For non insulated profiles and steel.	5	

IRCCOS certification



The anti-burglar kits have been submitted to burglary tests on a door sample with an external opening, passing the following tests:

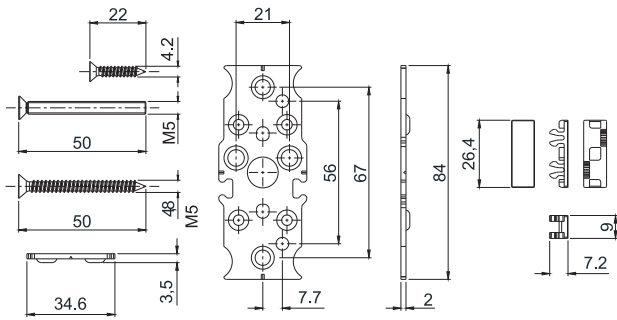
- > burglary resistance under static load in according to the UNI EN 1628: 2011 standard;
- > resistance to manual action against burglary in according to the UNI EN 1630: 2011 standard.

Following the positive results obtained, the products have been both classified in according to the parameters of the UNI EN 1627: 2011 standard in class 2 (RC2).

The test has been performed by the Italian institute IRCCOS s.r.l. (Research and Certification Institute for Sustainable Constructions), notification number 1994 according to EU Regulation 305/2011.

Accessories

6010.422





Savio S.p.A.
Via Torino, 25 (S.S. 25) - 10050 Chiusa S. Michele (TO)
Tel. +39 011 964 34 64 - Fax +39 011 964 34 74
www.savio.it - export@savio.it

